

LAN Components

TLA-6M102/103

ATM25

LC Modules

TLA-6M102

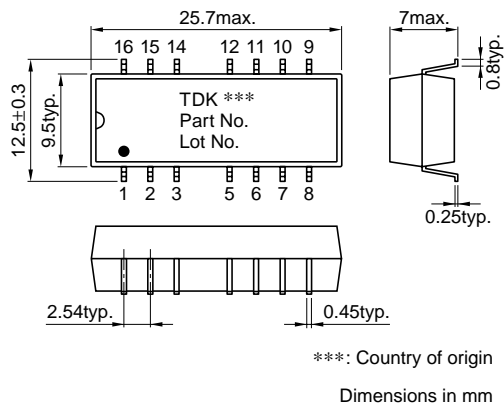
FEATURES

- 16-pin SOP package(2.54mm=100mil pin pitch).
- Pulse transformers, common-mode chokes, low pass filter and surge protector are integrated into 16-pin SMD package.
- Supports UTP 100Ω transmission cable.
- Suitable for use with NEC's μPD98408(NEC recommends).
- Tape and reel packaging are available(TLA-6M102-T: Tape and reel, TLA-6M102: Bulk).
- ISO9001/QS9000 quality standards certification.

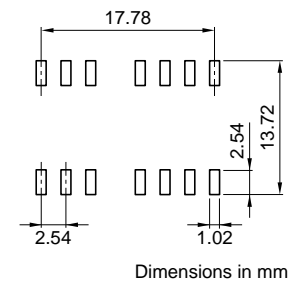
GENERAL SPECIFICATIONS

Low pass filter	1
Pulse transformer	2
Common-mode choke	2
Port	1
Operating temperature range	0 to +70°C
Storage temperature range	-40 to +85°C
Withstanding voltage	Erms:500V[60s]

SHAPES AND DIMENSIONS/CIRCUIT DIAGRAM



RECOMMENDED PC BOARD PATTERN



ELECTRICAL CHARACTERISTICS

Part No.	Insertion loss (dB)max.		Attenuation (dB)min.
	[0.1 to 17MHz]	[17 to 25MHz]	[50 to 100MHz]
	1,2-7,6 11,10-15,16	1,2-7,6 11,10-15,16	1,2-7,6 11,10-15,16
TLA-6M102(-T)	1.5	3	18
	1.5	1.5	—

- Ta=25°C

LAN Components

TLA-6M102/103

ATM25

LC Modules

TLA-6M103

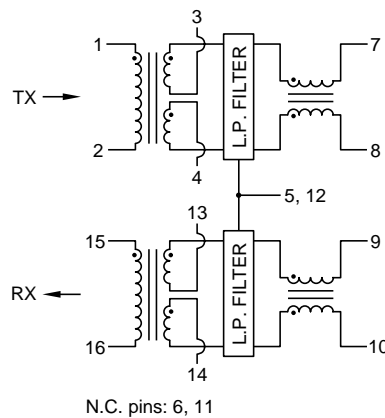
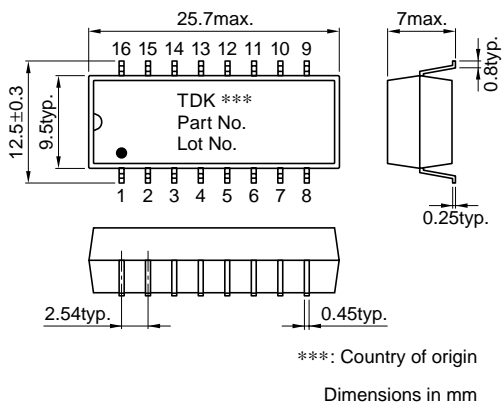
FEATURES

- 16-pin SOP package(2.54mm=100mil pin pitch).
- Pulse transformers, common-mode chokes and low pass filter are integrated into 16-pin SMD package.
- Supports STP 150Ω or UTP 100Ω transmission cable.
- Suitable for use with IDT's 77105(IDT recommends).
- Tape and reel packaging are available(TLA-6M103-T: Tape and reel, TLA-6M103: Bulk).
- ISO9001/QS9000 quality standards certification.

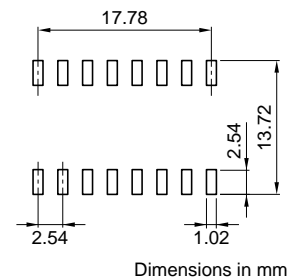
GENERAL SPECIFICATIONS

Low pass filter	2
Pulse transformer	2
Common-mode choke	2
Port	1
Operating temperature range	0 to +70°C
Storage temperature range	-40 to +85°C
Withstanding voltage	Erms:500V[60s]

SHAPES AND DIMENSIONS/CIRCUIT DIAGRAM



RECOMMENDED PC BOARD PATTERN



ELECTRICAL CHARACTERISTICS

Part No.	Insertion loss (dB)max.			Attenuation (dB)min.
	[12kHz]	[16MHz]	[24MHz]	[50 to 100MHz]
	1,2-7,8 9,10-15,16	1,2-7,8 9,10-15,16	1,2-7,8 9,10-15,16	1,2-7,8 9,10-15,16
TLA-6M103(-T)	3 3	1 1	1.8 1.8	20 20

- Ta=25°C

LAN Components

TLA-6M102/103

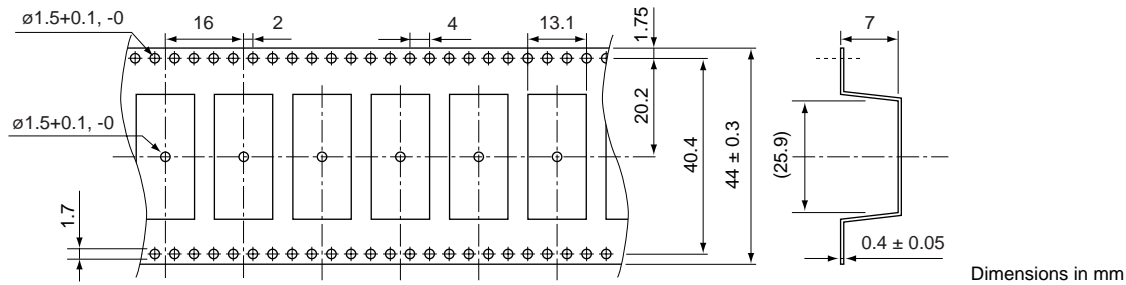
ATM25

LC Modules

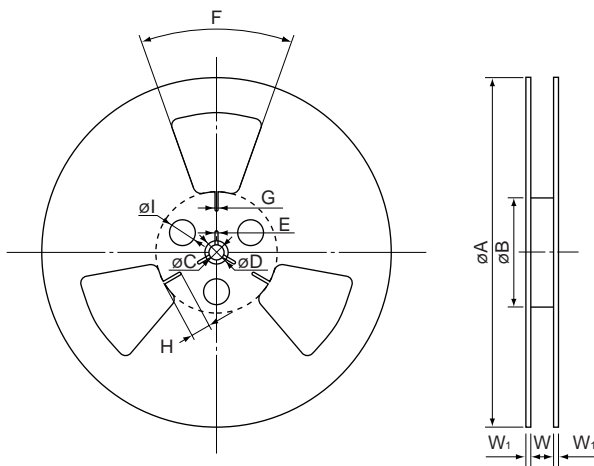
PACKAGING STYLES

Quantity : 500pieces/reel

TAPE DIMENSIONS



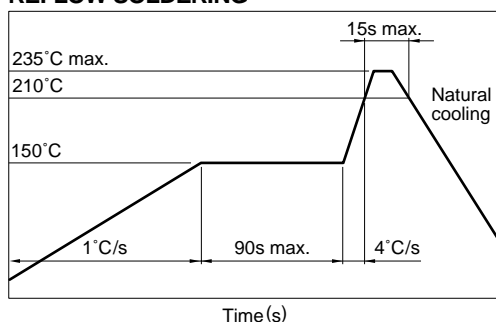
REEL DIMENSIONS



Dimensions in mm

A	B	C	D	E	F	G	H	I	W	W ₁
$\phi 330+0, -2$	$\phi 100+1, -0$	$\phi 13.5 \pm 0.2$	$\phi 21 \pm 0.8$	2 ± 0.5	3-40°	2.5 ± 0.3	12 ± 0.3	$3-\phi 22 \pm 0.3$	45.5 ± 0.5	2

RECOMMENDED SOLDERING CONDITION REFLOW SOLDERING



- Temperature is measured on the top of products body(Using thermocoupler for measurement).
- This profile is reference data we recommend. Please check in your actual process.

LONG TERM STORING CONDITION FOR TRANSFER MOLDED PRODUCTS WITH DRY PACKAGE

Each tape and reel is packaged by Anti-humid Al bag, in order to keep a good solder ability condition and soldering heat-resistant for the products.

- Unless open the bag, the limit of storing is within 2 years.
- After opening the bag, the products should be soldered within 2 weeks.

The products should be stored in the atmosphere of +5 to +30°C and below 60% R.H.